

C-SERIES

C10,000 XL-C12,000 XL

The multi-directional forklift designed for the safe, space saving and productive handling of long and bulky loads.

COMBiLiFT

LIFTING INNOVATION

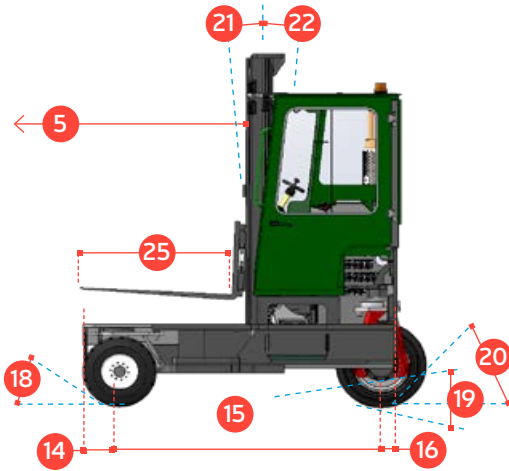


Wider Cab for increased Comfort

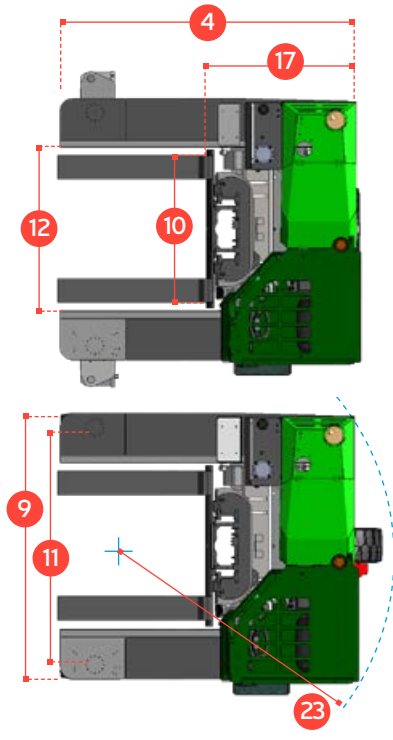
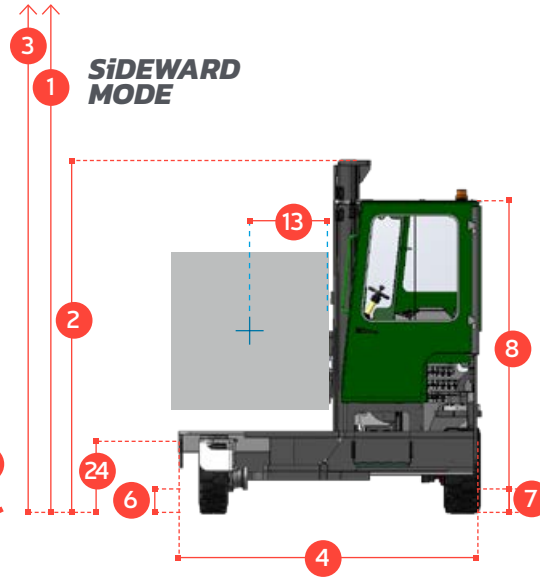


C-SERIES C10,000 XL-C12,000 XL

**FRONTAL
MODE**

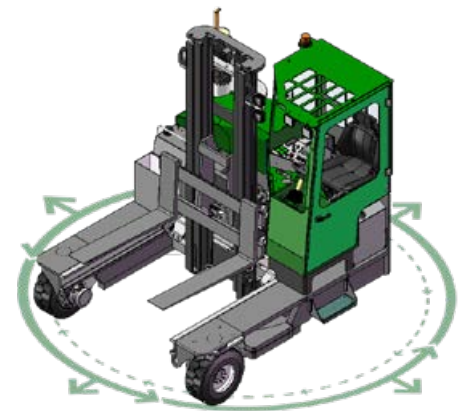


**SiDEWARD
MODE**



REF.	DESCRIPTION	C10,000 XL	C12,000 XL
1a	Standard Lift Height		159"
1b	Free Lift Height		0"
2	Height Mast Closed		118"
3	Max. (Mast Raised)		197"
4	Overall Length	98"	104"
5	Mast Travel	53"	55"
6	Ground Clearance Under Mast		11"
7	Ground Clearance to Wheelbase Center	10½"	9"
8	Height Over Cab or of Overhead Guard		102"
9	Width		88"
10	Outside Spread of Fork Arms		53"
11	Track Front		78"
12	Frame Opening		55"
13	Load Center Distance		24"
14	Overhang Front		11½"
15	Wheel Base		81½"
16	Overhang Back		5½"
17	Length from Face of Fork	51"	53"
18	Approach Angle		45°
19	Ramp Angle		29°
20	Departure Angle		45°
21	Forward Tilt		3°
22	Backward Tilt		5°
23	Minimum Outside Radius		98"
24	Platform Height		27"
25	Platform Length	47"	51"
A	Capacity	10,000 lbs	12,000 lbs
B	Unladen Weight	15,000 lbs	17,000 lbs
C	Maximum Ground Speed		9 mph
D	Gradeability		15%
E	LPG Engine Kubota WG2503		62 HP
F	Electrics		12 Volt
G	Fork Section	2" x 6" x 47"	2"x8"x47"
H	23 x 10 - 12 Front Tire		OD 23" / Width 10"
I	28 x 12.5 - 15 Rear Tire		OD 28" / Width 11"
J	Standard Color		Green and Gray
K	Suspension Seat		KAB Model 116

Multi-Directional



Features Include:

- Rubber Mounted Half Open Cabin
- Multi-Direction Operation
- 3 Wheel Hydrostatic Drive
- Load Sensing Steering
- 4 Way Lever Positioning of Wheels
- Hydraulic Oil Cooler

Distributed by:

International Patent Application No. PCT/Ep2014/053066; UK Patent Application No. GB 1302811.3

COMBILIFT HAS A POLICY OF CONTINUOUS PRODUCT DEVELOPMENT AND RESERVES THE RIGHT TO ALTER SPECIFICATIONS WITHOUT PRIOR NOTICE. SPECIFICATIONS AND/OR DIMENSIONS MAY VARY FROM THOSE ILLUSTRATED IN SOME COUNTRIES.

303 CONCORD STREET,
GREENSBORO,
NORTH CAROLINA 27406

TOLL FREE: 1-877 COMBI 56
TEL: 336-378-8884
INFO@COMBILIFT.COM

combilift.com