

C-SERIES C14,000-C17,300

The multi-directional forklift designed for the safe, space saving and productive handling of long and bulky loads.

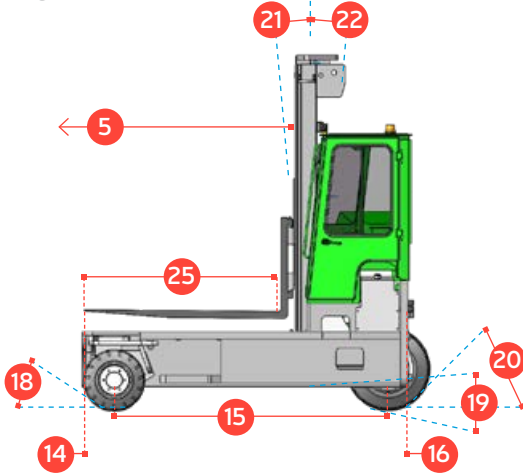
COMBiLiFT

LIFTING INNOVATION

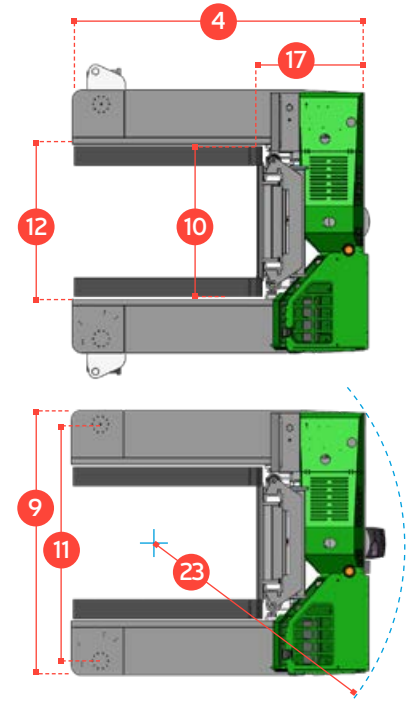
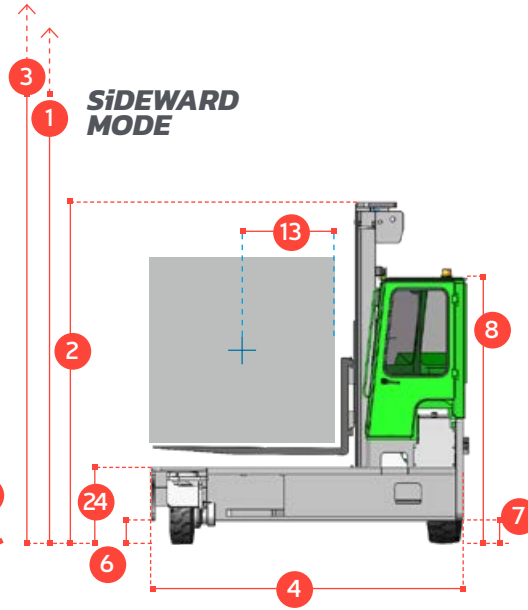


C-SERIES C14,000-C17,300

**FRONTAL
MODE**

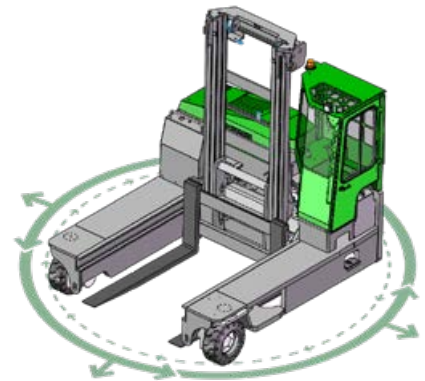


**SIDEWARD
MODE**



REF.	DESCRIPTION	C14,000	C17,300
1a	Standard Lift Height		178"
1b	Free Lift Height		0"
2	Height Mast Closed		135"
3	Max. (Mast Raised)		234"
4	Overall Length	96"	105"
5	Mast Travel	51"	60"
6	Ground Clearance Under Mast		11"
7	Ground Clearance to Wheelbase Center		6"
8	Height Over Cab or of Overhead Guard		102"
9	Width		110"
10	Outside Spread of Fork Arms		63"
11	Track Front		98"
12	Frame Opening		65"
13	Load Center Distance		24"
14	Overhang Front		12"
15	Wheel Base	76"	85"
16	Overhang Back		8"
17	Length from Face of Fork		46½"
18	Approach Angle		45°
19	Ramp Angle		29°
20	Departure Angle		45°
21	Forward Tilt		3°
22	Backward Tilt		5°
23	Minimum Outside Radius	100"	109"
24	Platform Height		29½"
25	Platform Length	49"	58½"
A	Capacity	14,000 lbs	17,300 lbs
B	Unladen Weight	23,000 lbs	24,000 lbs
C	Maximum Ground Speed		9 mph
D	Gradeability		15%
E	LPG Engine GM (PSI) 4.3 litre		96HP
F	Electrics		12 Volt
G	Fork Sections 2" x 8" x	49"	58½"
H	23 x 10 - 12 Front Tire		OD 23" / Width 10"
I	400 / 60 - 15 Rear Tire		OD 32" / Width 13"
J	Standard Color		Green and Gray
K	Suspension Seat		KAB Model 116

Multi-Directional



Features Include:

- Rubber Mounted Half Open Cabin
- Multi-Direction Operation
- 3 Wheel Hydrostatic Drive
- Load Sensing Steering
- 4 Way Lever Positioning of Wheels
- Hydraulic Oil Cooler

Distributed by:

European Patent No. 2167416; Brazilian Patent No. P10811954-6; Australian Patent No. 2008253242

COMBILIFT HAS A POLICY OF CONTINUOUS PRODUCT DEVELOPMENT AND RESERVES THE RIGHT TO ALTER SPECIFICATIONS WITHOUT PRIOR NOTICE. SPECIFICATIONS AND/OR DIMENSIONS MAY VARY FROM THOSE ILLUSTRATED IN SOME COUNTRIES.

303 CONCORD STREET,
GREENSBORO,
NORTH CAROLINA 27406

TOLL FREE: 1-877 COMBI 56
TEL: 336-378-8884
INFO@COMBILIFT.COM

combilift.com